



LED UFO High bay light

LED UFO high bay lighting is a popular choice in warehouse lighting. They are easy to hang with two gibber cables and easy to connect with the junction box right on back. Popular for their wide light distribution, they are a great choice for going LED and saving energy.

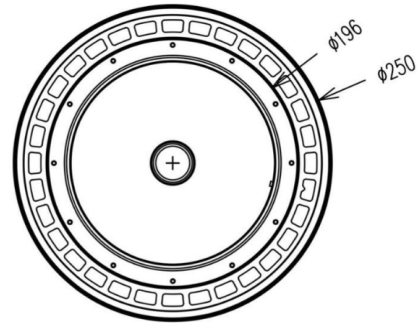
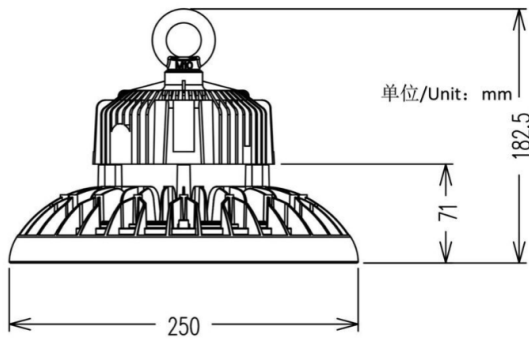


Product Features

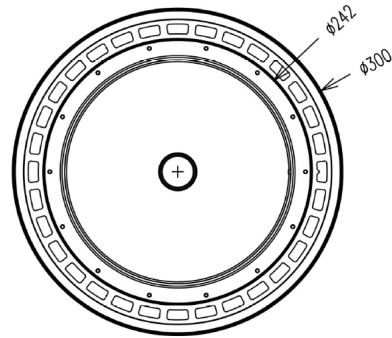
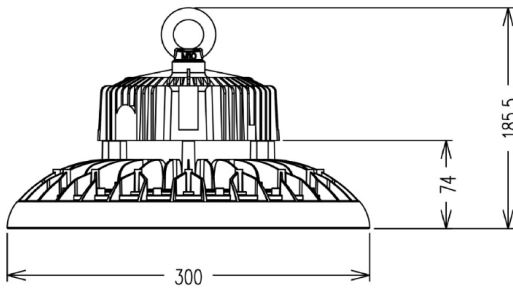
1. Products comply with UL certification standards, with a high price/performance ratio ;
2. Power: 50W & 100W & 150W & 200W & 250W;
3. Length and power can be produced as required;
4. High luminous efficacy 150lm/W; Beam angle: 60°/90° ;
5. High quality isolated driver; Flicker free;
6. PF > 0.90, driver efficiency > 87%; THD < 20%;
7. Installation: Boom, chain mounting;
8. Suitable for indoor and outdoor, IP65;
9. Designed for warehouses, gymnasiums, and industrial spaces;
10. CCT: 3000K & 4000K & 6000K ;
11. Five years warranty.



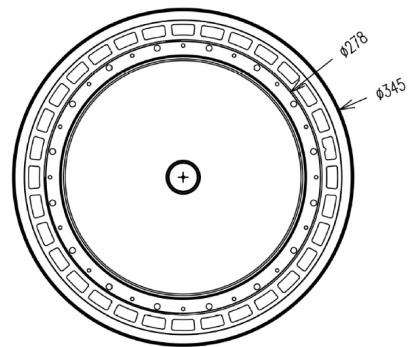
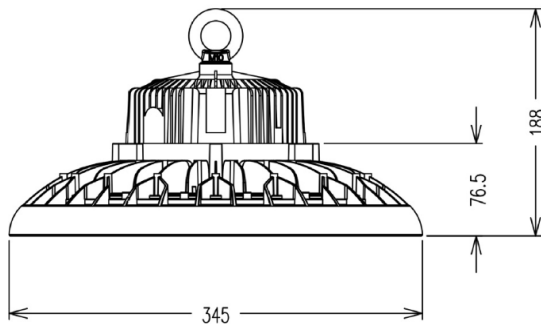
Product Dimension



50-100W Spec



150W Spec



200W Spec

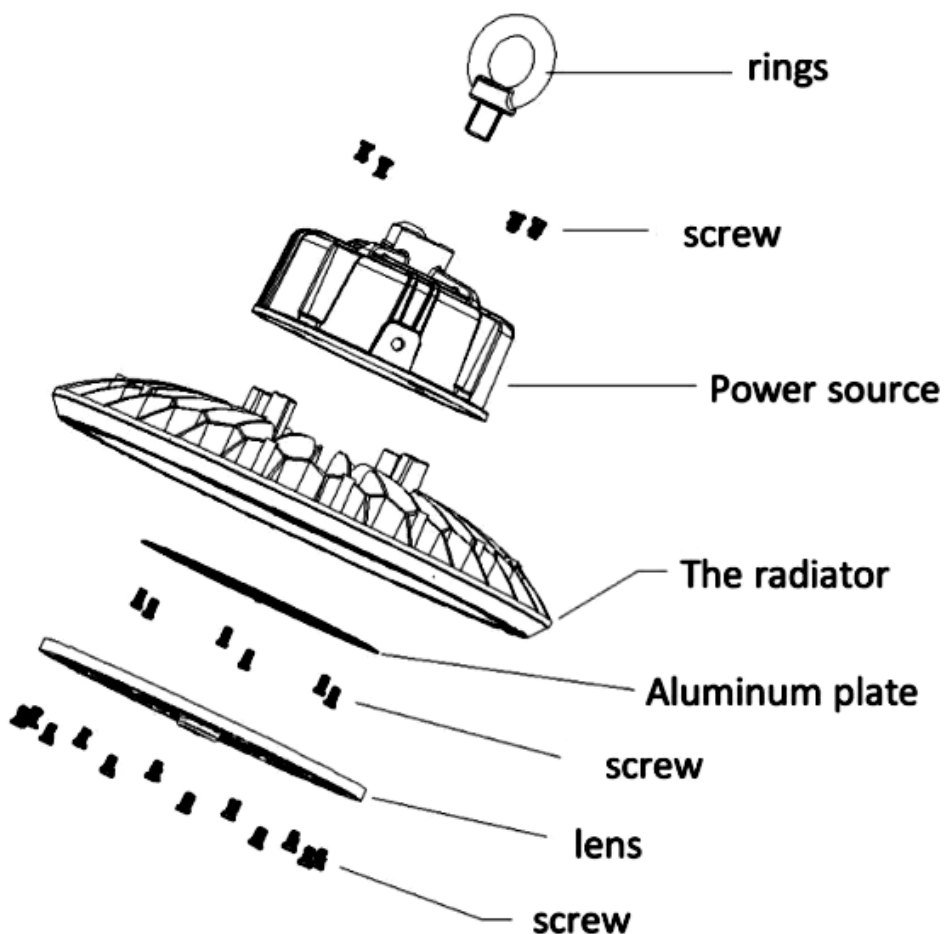
Prot No.	Face diameter	diameter	High	Thermal Conductivity
LSLH-XCU4-50W	250MM	196MM	182.5MM	1.5W/(M.K)
LSLH-XCU4-100W	250MM	196MM	182.5MM	1.5W/(M.K)
LSLH-XCU4-150W	300MM	242MM	185.5MM	1.5W/(M.K)
LSLH-XCU4-200W	345MM	278MM	188MM	1.5W/(M.K)



Specification

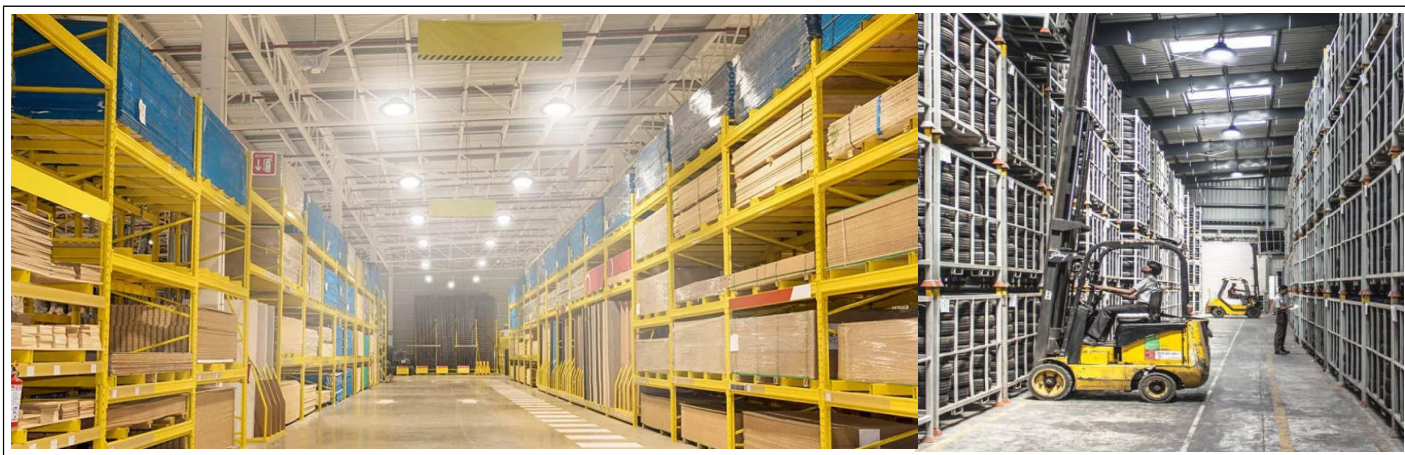
Name	Beam Angle	Part No.	Power	Input Voltage	Input Current		LED Strip	PF	Light Efficacy	CCT	Ra
					110V	220V					
LED UFO High Bay Light	60°/90°	LSLH-XCU4-50W	50W	AC100-277V	0.45A	0.23A	1 (140PCS)	>0.9	150LM/W	3000K 4000K 6000K	>80
	60°/90°	LSLH-XCU4-100W	100W		0.9A	0.45A	1 (140PCS)	>0.9			
	60°/90°	LSLH-XCU4-150W	150W		1.36A	0.68A	1 (210PCS)	>0.9			
	60°/90°	LSLH-XCU4-200W	200W		1.82A	0.9A	4 (280PCS)	>0.9			

Product anasis diagram





Applications



Packing /weight

Part No.	Outer Carton Size (L*W*H)	Oty/Carton (PCS)	Net Weight	Gross Weight
LSLH-XCU4-50W	280x280x160mm	1	1.62KG	1.92KG
LSLH-XCU4-100W	280x280x160mm	1	1.73KG	2.03KG
LSLH-XCU4-150W	350x350x160mm	1	2.31KG	2.58KG
LSLH-XCU4-200W	400x400x170mm	1	3.4KG	3.6KG

Note

- 1.The installation and maintenance must be completed by electricians or professionals.
- 2.Please cut off the power before installation and maintenance.
- 3.The thermally insulating material is not allowed to cover the fixture.
- 4.Please keep away from the corrosive substance, and keep the fixture dry and clean.
- 5.Working temperature: -20°C~40°C, storage temperature: -30°C~60°C.