



LED Linear Adjustable High bay Light

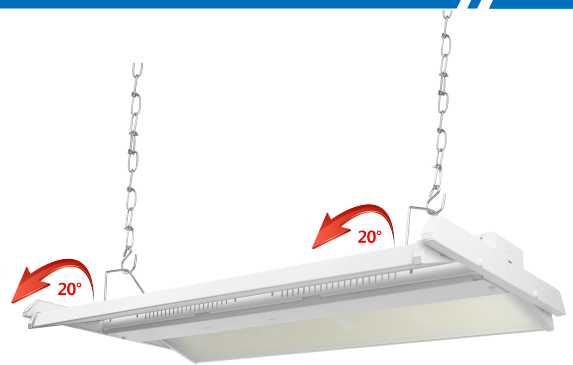


LED Linear adjustable high bay lighting is a popular choice in warehouse lighting. They are easy to hang with two gibber cables and easy to connect with the junction box right on back. Popular for their wide light distribution, they are a great choice for going LED and saving energy.

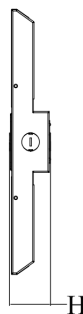
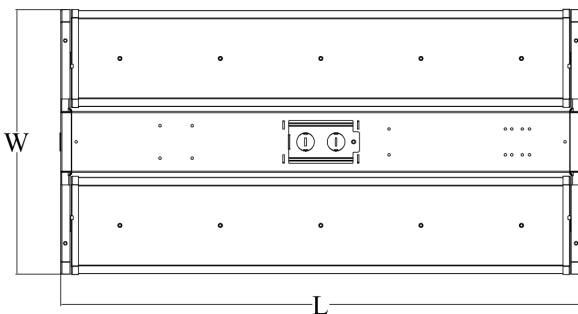


Product Features

1. Product comply with UL certification standards;
2. 2FT 80-220W, 4FT 225-300W;
3. High luminous efficacy 135lm/W & 150lm/W;
4. High Quality driver, 1-10V dimming, Flicker-Free;
5. PF > 0.90, drive efficiency > 90%, THD < 20%;
6. Installation: chain mounting & Pedant Mounting;
7. Suitable for dry/damp location;
8. Designed for warehouses, gymnasiums, and industrial spaces;
9. Optics rotate up to 100° (extorsion 80°, intorsion 20°);
10. CCT: 4000K & 5000K & 6000K ;
11. Power tunable and CCT Switchable available ;



Product Dimension



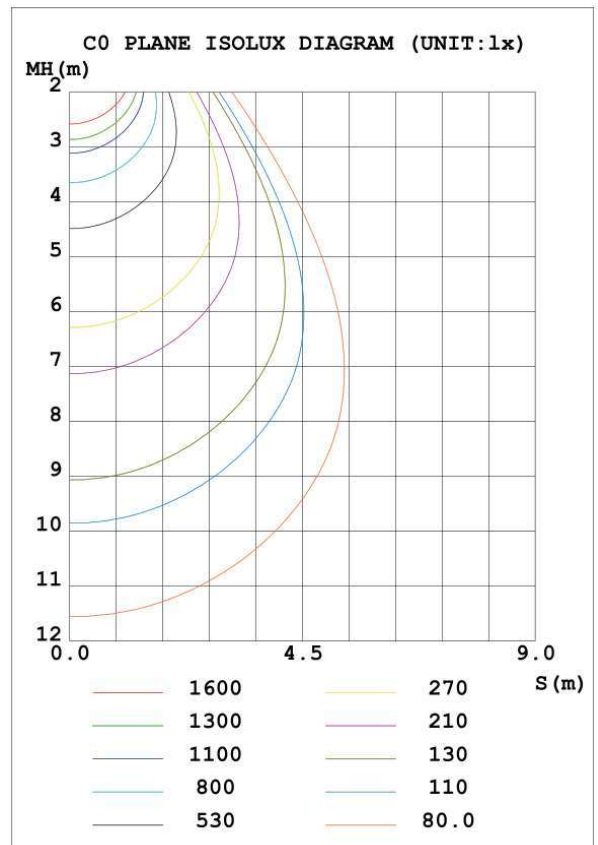
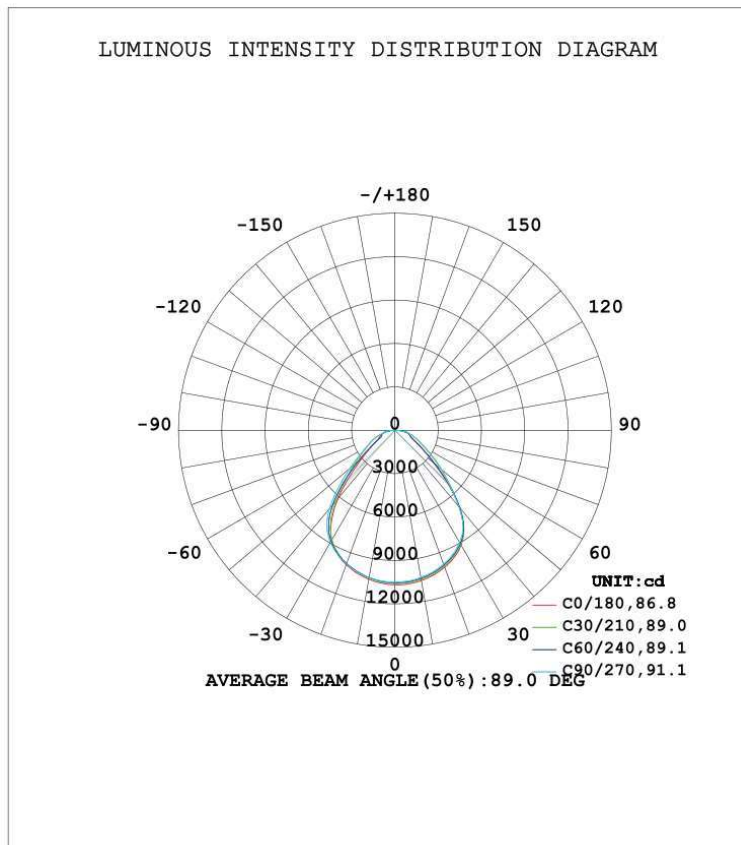
Part No.	L*W*H
LSLH-LHB06-2FT80W	654*325*51mm/25.75*12.8*2"
LSLH-LHB06-2FT110W	
LSLH-LHB06-2FT160W	
LSLH-LHB06-2FT220W	1194*325*51mm/47*12.8*2"
LSLH-LHB06-2FT225W	
LSLH-LHB06-2FT300W	



Specification

Part No.	Power	Input Voltage	Luminous Efficacy	CCT	Viewing Angle	Ra	PF	Warranty
LSLH-LHB6-2FT80W	80W	AC120-277V	135lm/W	4000K 5000K 5700K	90°	>80	>0.9	5 Years
LSLH-LHB6-2FT110W	110W							
LSLH-LHB6-2FT160W	160W							
LSLH-LHB6-2FT220W	220W							
LSLH-LHB6-4FT225W	225W							
LSLH-LHB6-4FT300W	300W							
LSLH-LHB6-2FT80W-MV	80W	AC120-347V	135lm/W	4000K 5000K 5700K	90°	>80	>0.9	5 Years
LSLH-LHB6-2FT110W-MV	110W							
LSLH-LHB6-2FT160W-MV	160W							
LSLH-LHB6-2FT220W-MV	220W							
LSLH-LHB6-4FT225W-MV	225W							
LSLH-LHB6-4FT300W-MV	300W							

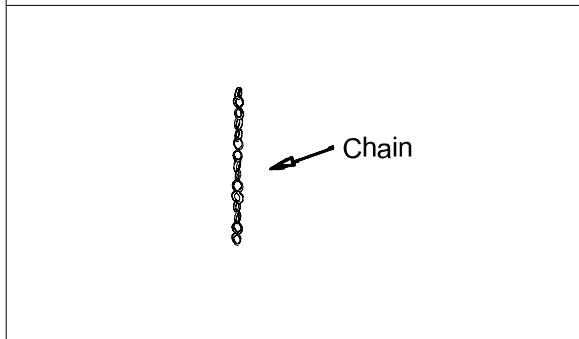
Testing Report



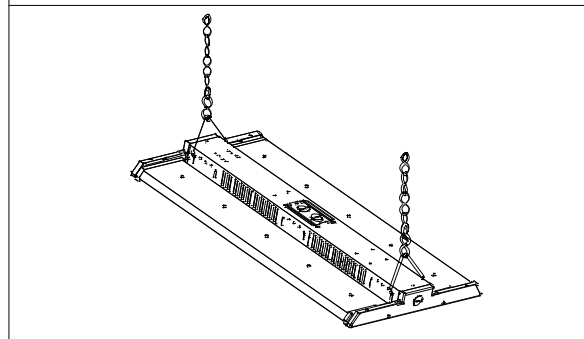


Chain Installation

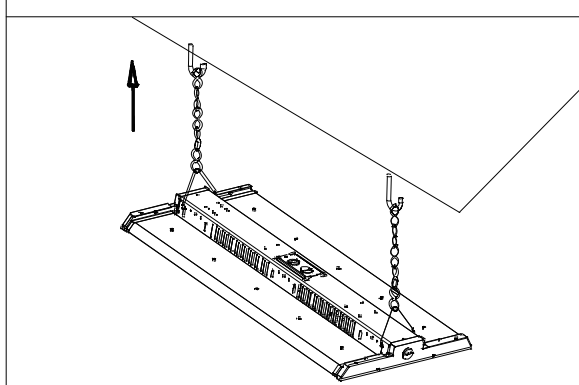
1. Hook the chain as below picture.



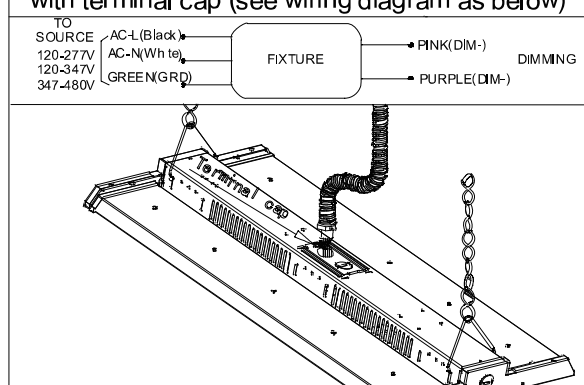
2. Insert the hook into the slotted holes, as shown below.



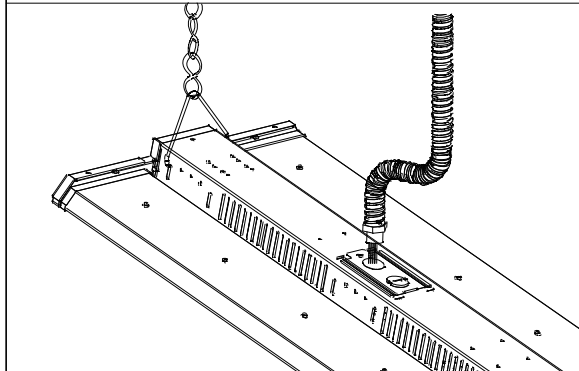
3. Hook up the chain on the ceiling anchor.



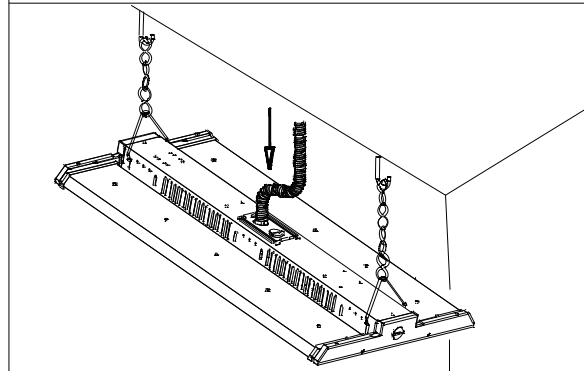
4. Turn off power, make wiring connections with terminal cap (see wiring diagram as below)



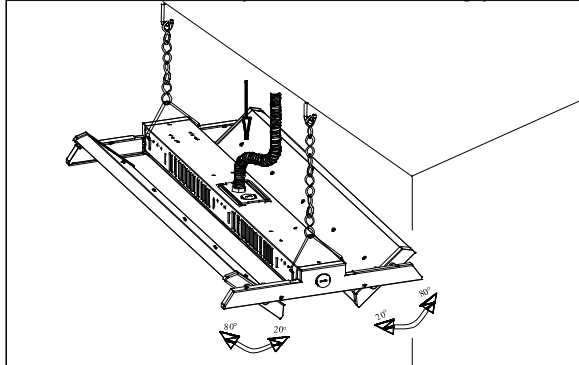
5. Insert the terminal cap and wires into the driver box.



6. Insert the wire terminal joint to the wire entry.

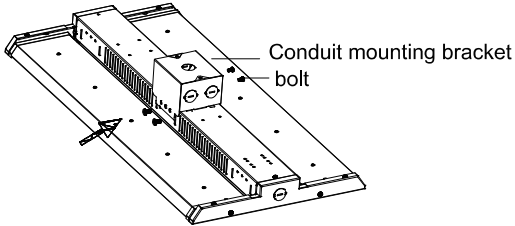
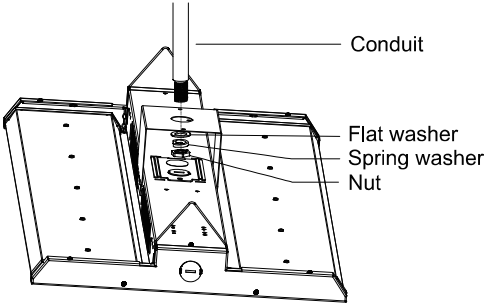
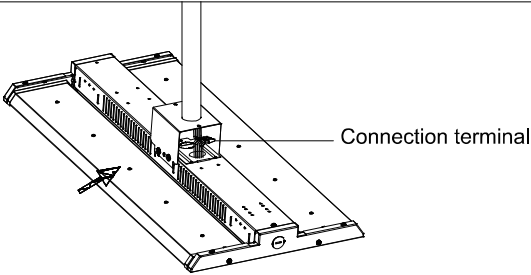
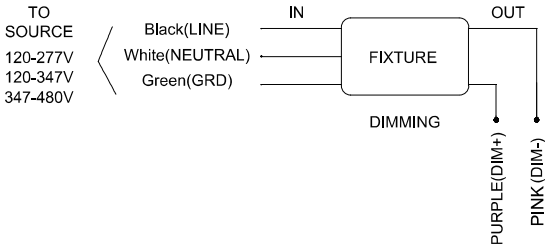
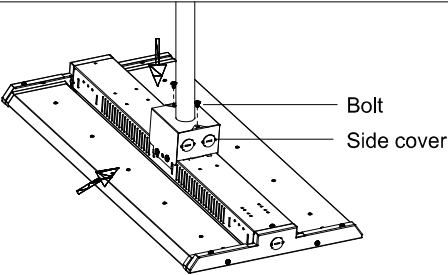
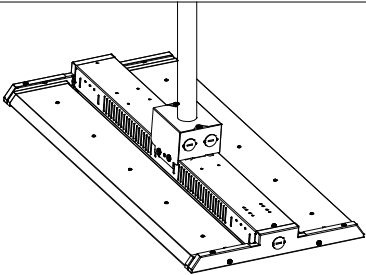
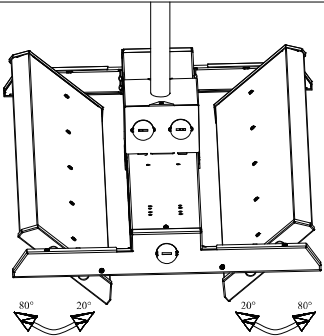


7. Adjust the fixture lighting angle to the direction needed (Shown as below fig.)





Pendant Mounting Instruction

<p>1.Screw the conduit mounting bracket to the fixture.</p>	<p>2. Lock the conduit with flat washer + spring washer + nut on the mounting bracket</p>
 <p>Conduit mounting bracket bolt</p>	 <p>Conduit Flat washer Spring washer Nut</p>
<p>3.Wiring according to the circuit diagram.</p>	<p>4.Screw the side covers to conduit mounting bracket.</p>
 <p>Connection terminal</p>  <p>TO SOURCE 120-277V 120-347V 347-480V</p> <p>IN</p> <ul style="list-style-type: none"> Black(LINE) White(NEUTRAL) Green(GRD) <p>OUT</p> <p>DIMMING</p> <ul style="list-style-type: none"> PURPLE(DIM+) PINK(DIM-) 	 <p>Bolt Side cover</p>
<p>5.Screw the side covers to conduit mounting bracket.</p>	<p>6. Adjust the fixture lighting angle to the direction needed (Shown as below fig.)</p>
	 <p>80° 20° 30° 80°</p>



// Applications



// Packing/Weight

Part No.	Outer box (L*W*H)	Qty/Ctn (pcs)	N.W/pcs (lbs/Kg)	G.W/Ctn (lbs/Kg)
LSLH-LHB6-2FT80W	707*320*405 mm 27.8*12.6*15.9 inch	4	7.1/3.2	32.6/14.8
LSLH-LHB6-2FT110W	707*320*405 mm 27.8*12.6*15.9 inch	4	7.1/3.2	32.6/14.8
LSLH-LHB6-2FT160W	707*320*405 mm 27.8*12.6*15.9 inch	4	7.1/3.2	32.6/14.8
LSLH-LHB6-2FT220W	707*320*405 mm 27.8*12.6*15.9 inch	4	7.1/3.2	32.6/14.8
LSLH-LHB6-4FT225W	1247*167*405 mm 27.8*6.6*15.9 inch	2	13.6/6.2	31.7/14.5
LSLH-LHB6-4FT300W	1247*167*405 mm 27.8*6.6*15.9 inch	2	13.6/6.2	31.7/14.5

// Note

- 1.The installation and maintenance must be completed by electricians or professionals.
- 2.Please cut off the power before installation and maintenance.
- 3.The thermally insulating material is not allowed to cover the fixture.
- 4.Please keep away from the corrosive substance, and keep the fixture dry and clean.
- 5.Working temperature: -40°F~113°F(-40 ~45), storage temperature: -40°F~158°F(-40~70).