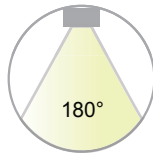
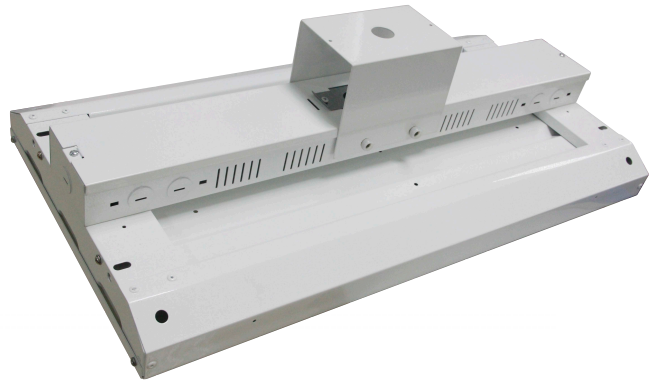




深圳市四量科技有限公司
ShenZhen LSLH Technology Co., Ltd.

LED Linear High Bay

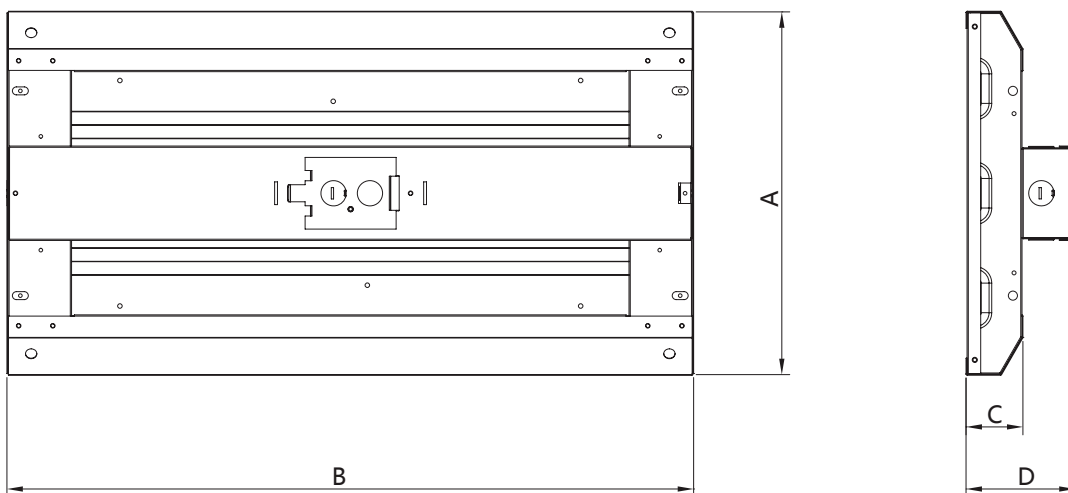




Product Features

1. ULus & FCC listed; With LM79 & LM80;
2. 2ft:110W MAX & 220W MAX available ; 4ft: 225W MAX available;
3. High luminous efficacy 130lm/w;
4. High quality isolated driver; 0-10V dimming; Flicker free;
5. PF > 0.90, driver efficiency > 87%; THD < 20%;
6. Installation: pendant, chain mounting;
7. Suitable for dry/damp location;
8. Designed for warehouses, gymnasiums, and industrial spaces;
9. CCT: 4000K & 5000K;
10. Five years warranty.

Product Dimension



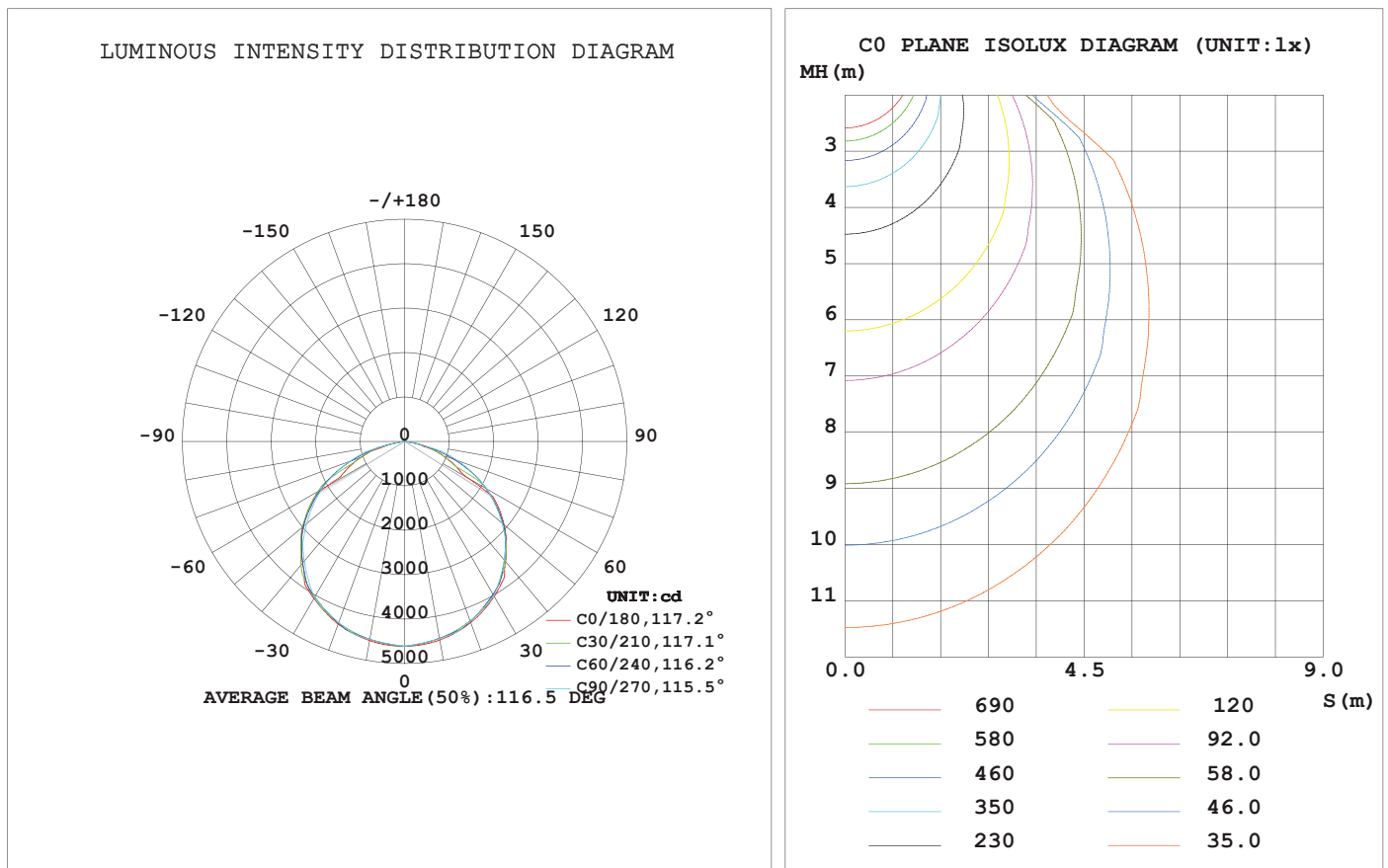
Part No.	A	B	C	D
LSLH-LHB1-80	320MM(12.60")	600MM(23.82")	50MM(1.97")	96MM(3.78")
LSLH-LHB2-110	320MM(12.60")	600MM(23.82")	50MM(1.97")	96MM(3.78")
LSLH-LHB3-160	440MM(17.32")	600MM(23.82")	50MM(1.97")	96MM(3.78")
LSLH-LHB3-165	440MM(17.32")	600MM(23.82")	50MM(1.97")	96MM(3.78")
LSLH-LHB5-220	440MM(17.32")	600MM(23.82")	50MM(1.97")	96MM(3.78")
LSLH-LHB4-160	320MM(12.60")	1200MM(45.87")	50MM(1.97")	96MM(3.78")
LSLH-LHB4-165	320MM(12.60")	1200MM(45.87")	50MM(1.97")	96MM(3.78")
LSLH-LHB5-225	320MM(12.60")	1200MM(45.87")	50MM(1.97")	96MM(3.78")
LSLH-LHB6-320	440MM(17.32")	1200MM(45.87")	50MM(1.97")	96MM(3.78")
LSLH-LHB6-325	440MM(17.32")	1200MM(45.87")	50MM(1.97")	96MM(3.78")



Specification

Name	Size	Part No.	Power	Input Voltage	Input Current	LED Strip	PF	Light Efficacy	CCT	Ra
Linear high bay	0.6M	LSLH-LHB1-80	80W MAX	AC100-277V	0.8A	4	>0.9	130lm/W	4000K 5000K	80
		LSLH-LHB2-110	110W MAX		1A	4				
		LSLH-LHB3-160	160W MAX		1.6A	6				
		LSLH-LHB3-165	165W MAX		2A	6				
	1.2M	LSLH-LHB4-160	160W MAX		1.6A	4				
		LSLH-LHB4-165	165W MAX		2A	4				
		LSLH-LHB5-225	225W MAX		2A	4				
		LSLH-LHB6-320	320W MAX		3A	6				

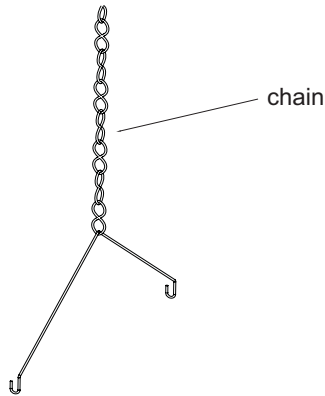
Testing Report



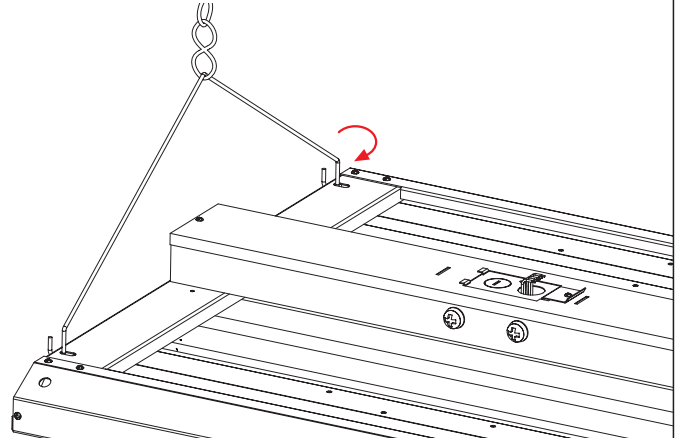


Chain Installation

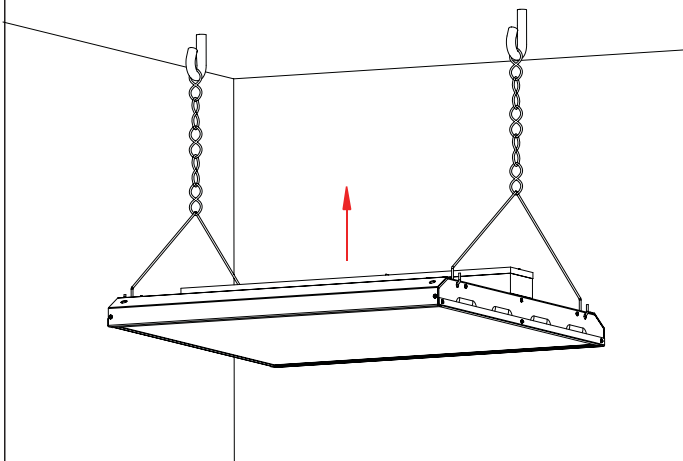
1. Hook the chain as below pic.



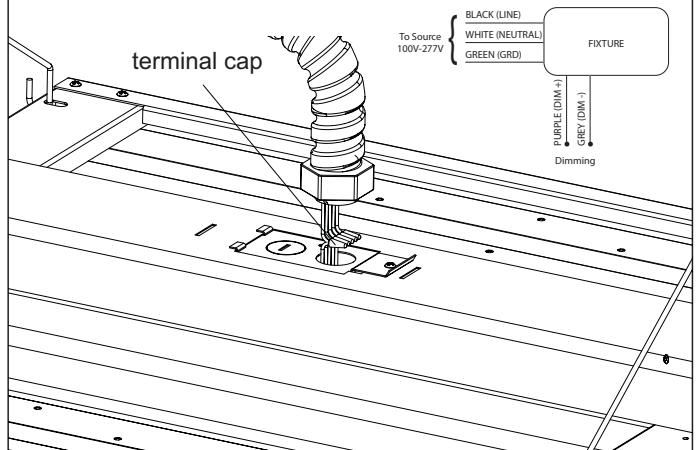
2. Insert the hook into the slotted holes, as shown below.



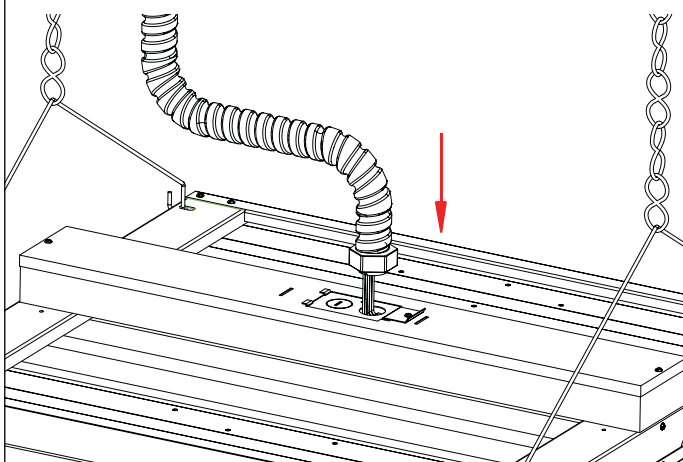
3. Hook up the chain on the ceiling anchor.



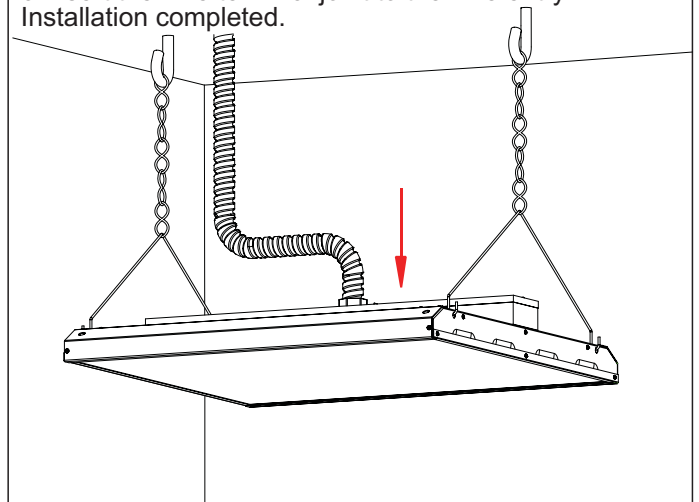
4. Turn off power, and make wiring connections with terminal cap.(see wiring instruction below)



5. Insert the terminal cap and wires in to the driver box.



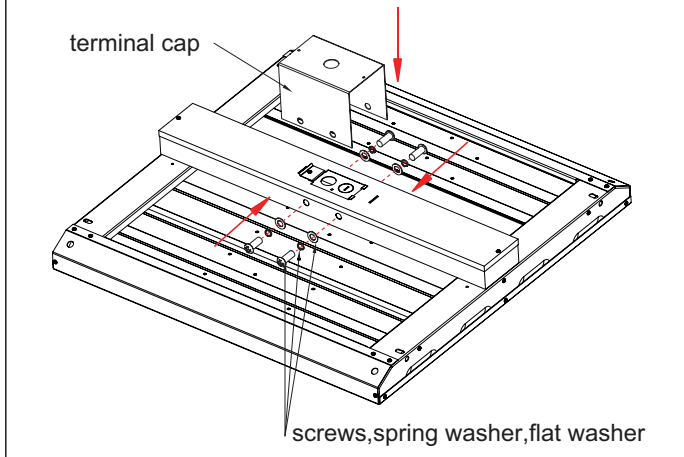
6. Insert the wire terminal joint to the wire entry. Installation completed.



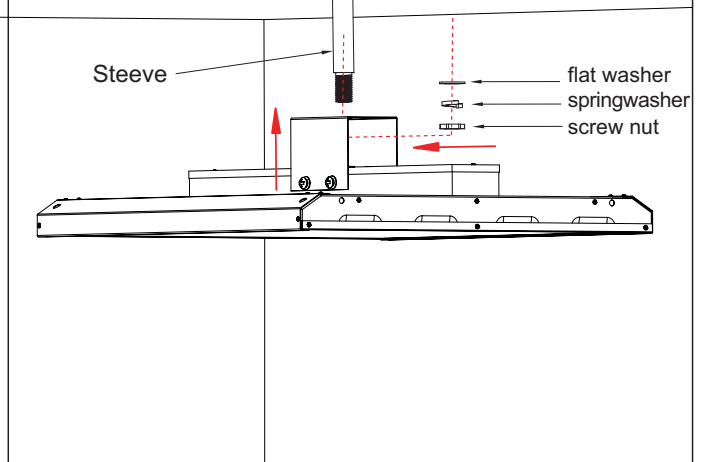


Steeve Installation

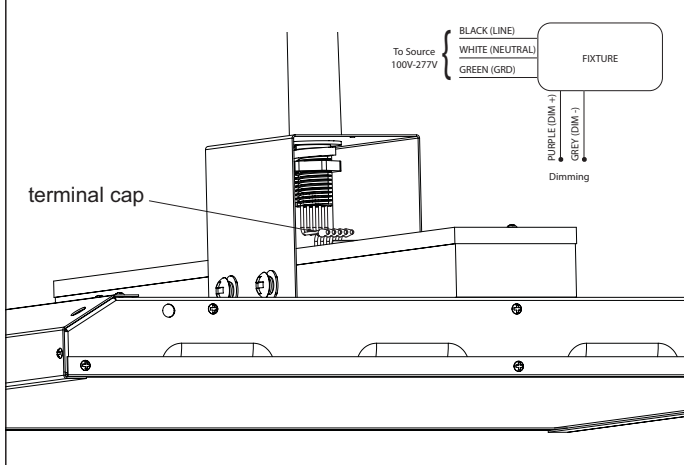
1. Fixed the junction box on the fixture with the provided hardware.



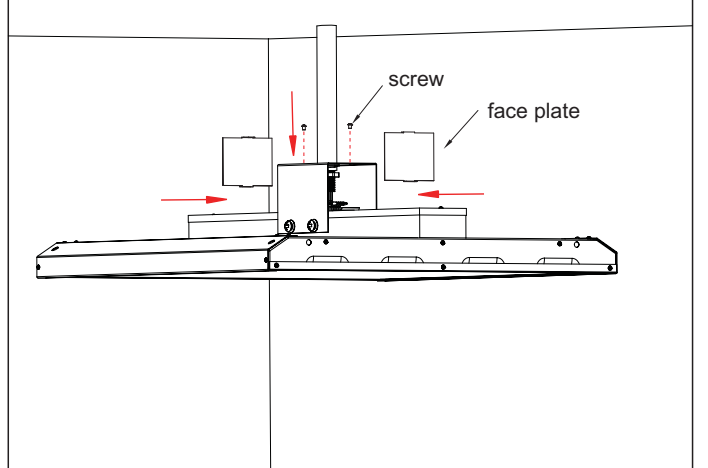
2. Fixed the high bay on the steeve with provided hardware.



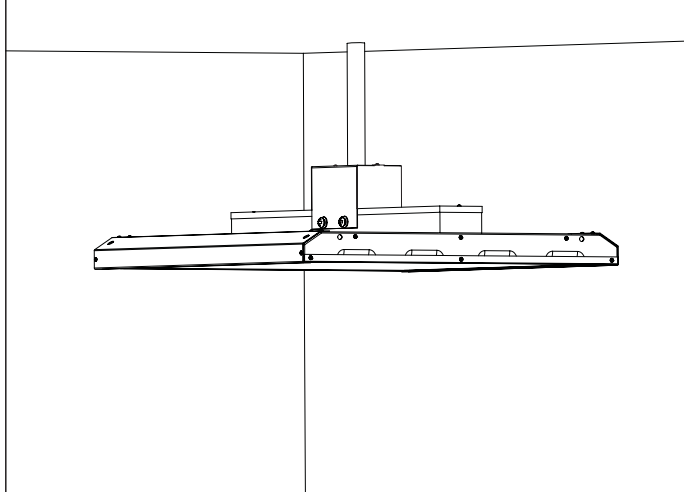
3. Turn off power, and make wiring connections with terminal cap. (see wiring instruction below)



4. Attach both face plates to the Junction box with the provided hardware



5. Installation completed.





Applications



Packing /weight

Part NO.	Outer Carton Size (L×W×H)	Qty/Carton (pcs)	Net weight	Gross weight
LSLH-LHB1-80	(26.38''*15.94''*5.91'') 670*405*150mm	1	4.7kg	7.3kg
LSLH-LHB2-110	(26.38''*15.94''*5.91'') 670*405*150mm	1	4.7kg	7.3kg
LSLH-LHB3-160 LSLH-LHB3-165	(26.38''*15.94''*5.91'') 670*525*150mm	1	5.5kg	8.2kg
LSLH-LHB5-220	(26.38''*15.94''*5.91'') 670*525*150mm	1	5.5kg	8.2kg
LSLH-LHB4-160 LSLH-LHB4-165	(48.43''*15.94''*5.91'') 1230*405*150mm	1	9.5kg	12.5kg
LSLH-LHB5-225	(48.43''*15.94''*5.91'') 1230*405*150mm	1	9.5kg	12.5kg
LSLH-LHB6-320 LSLH-LHB6-325	(48.43''*15.94''*5.91'') 1230*525*150mm	1	11.0kg	14.1kg

Note

- 1.The installation and maintenance must be completed by electricians or professionals.
- 2.Please cut off the power before installation and maintenance.
- 3.The thermally insulating material is not allowed to cover the fixture.
- 4.Please keep away from the corrosive substance, and keep the fixture dry and clean.
- 5.Working temperature: -20°C~40°C, storage temperature: -30°C~60°C.