



## LED Linear High bay Light

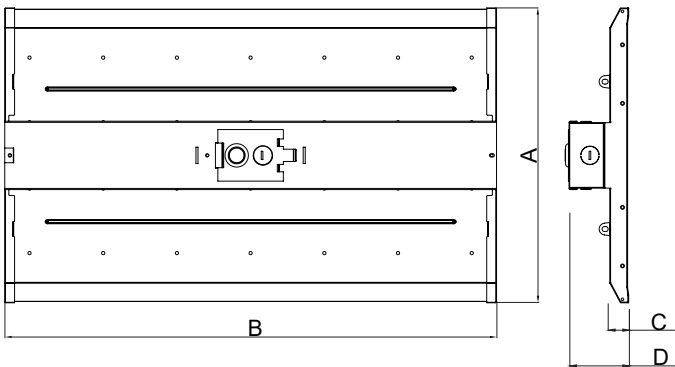
LED Linear high bay lighting is a popular choice in warehouse lighting. They are easy to hang with two gibber cables and easy to connect with the junction box right on back. Popular for their wide light distribution, they are a great choice for going LED and saving energy.



### Product Features

1. Comply with UL certification standards, With LM79 & LM80;
2. 2ft: 160W MAX & 220W MAX available;
3. High luminous efficacy 140lm/w;
4. 0-10V dimming;
5. PF > 0.90, THD < 20%;
6. Installation: chain mounting;
7. Suitable for dry/damp location;
8. Designed for warehouses, gymnasiums, and industrial spaces;
9. CCT: 4000K & 5000K & 5700K & 6500K ;
10. Power tunable and CCT Switchable available ;

### Product Dimension



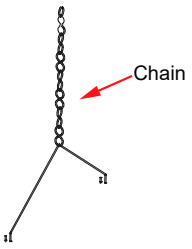
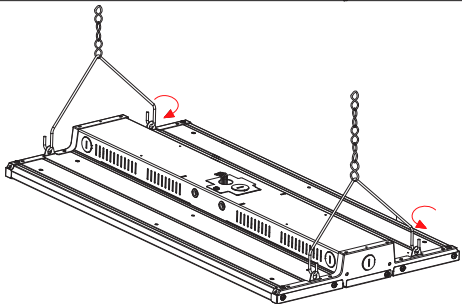
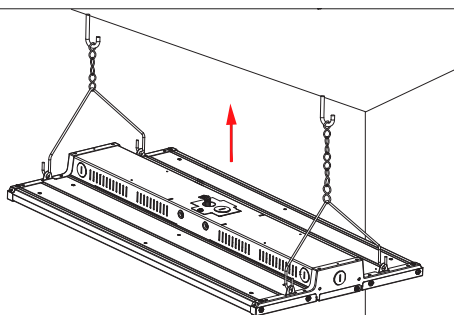
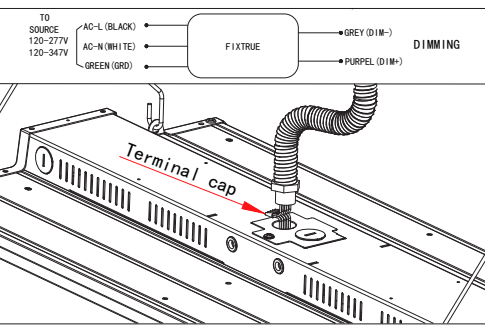
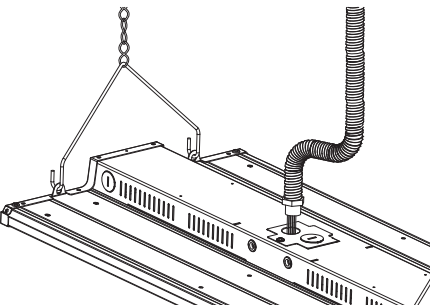
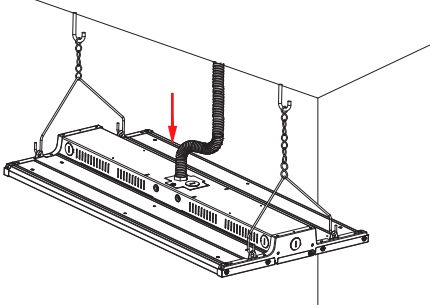
Part No.	A	B	C	D
LSLH-LHB07-1X2-80W	11.81"	23.64"	0.91"	2.89"
LSLH-LHB07-1X2-110W	300mm	600mm	23mm	73mm
LSLH-LHB07-1X2-160W				
LSLH-LHB07-2X2-220W	14.17" 360mm	23.64" 600mm	0.91" 23mm	2.89" 73mm
LSLH-LHB07-2X4-220W	14.17"	45.67"	0.91"	2.89"
LSLH-LHB07-2X4-320W	360mm	1160mm	23mm	73mm
LSLH-LHB07-1X2-160W (160/110/80)	11.81" 300mm	23.64" 600mm	0.91" 23mm	2.89" 73mm
LSLH-LHB07-2X2-220W (220/160/110)	14.17" 360mm	23.64" 600mm	0.91" 23mm	2.89" 73mm



## Specification

Name	Part No.	Power	Input Voltage	Input Current	PF	Light Efficacy	CCT	Ra
Linear high bay	LSLH-LHB07-1X2-80W	80W	AC120-277V AC120-347V	0.734A	>0.9	140lm/W	4000K 5000K 5700K 6500K	80
	LSLH-LHB07-1X2-110W	110W		1.009A				
	LSLH-LHB07-1X2-160W	160W		1.467A				
	LSLH-LHB07-2X2-220W	220W		2.017A				
	LSLH-LHB07-2X4-220W	220W		2.017A				
	LSLH-LHB07-2X4-320W	320W		2.934A				
	LSLH-LHB07-1X2-160W (160/110/80)	160W		1.467A				
	LSLH-LHB07-2X2-220W (220/160/110)	220W		2.017A				

## Chain Installation

- Hook the chain as below pic.
 
- Insert the hook into the slotted holes, as shown below.
 
- Hook up the chain on the ceiling anchor.
 
- Turn off power, and make wiring connections with terminal cap (see wiring instruction below).
 
- Insert the terminal cap and wires into the driver box.
 
- Insert the wire terminal joint to the wire entry. Installation completed.
 



## Applications



## Packing/Weight

Part NO.	Outer Carton Size (L×W×H)	Qty/Carton (pcs)	Net weight (LBS/KG)	GroLSLH weight (LBS/KG)
LSLH-LHB07-1X2-80W	(25.59''*13.98''* 9.45'') (650*355*240mm)	2	13.82 6.267KG	15.83 7.18KG
LSLH-LHB07-1X2-110W	(25.59''*13.98''* 9.45'') (650*355*240mm)	2	13.82 6.267KG	15.83 7.18KG
LSLH-LHB07-1X2-160W	(25.59''*13.98''* 9.45'') (650*355*240mm)	2	13.86 6.287KG	15.87 7.20KG
LSLH-LHB07-2X2-220W	(25.98''*16.73''* 10.24'') (660*425*260mm)	2	17.32 7.856KG	19.84 9.0KG
LSLH-LHB07-2X4-220W	(48.03''*16.73''* 10.24'') (1220*425*260mm)	2	26.88 12.192KG	30.86 14.0KG
LSLH-LHB07-2X4-320W	(48.03''*16.73''* 10.24'') (1220*425*260mm)	2	27.16 12.320KG	31.14 14.12KG
LSLH-LHB07-1X2-160W (160/110/80)	(25.59''*13.98''* 9.45'') (650*355*240mm)	2	13.86 6.287KG	15.87 7.20KG
LSLH-LHB07-2X2-220W (220/160/110)	(25.98''*16.73''* 10.24'') (660*425*260mm)	2	17.32 7.856KG	19.84 9.0KG

## Note

- 1.The installation and maintenance must be completed by electricians or professional LSLH installers.
- 2.Please cut off the power before installation and maintenance.
- 3.The thermally insulating material is not allowed to cover the fixture.
- 4.Please keep away from the corrosive substance, and keep the fixture dry and clean.
- 5.Working temperature: -4°F~122°F, storage temperature: -22°F~158°F.