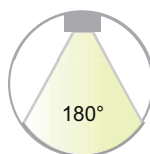
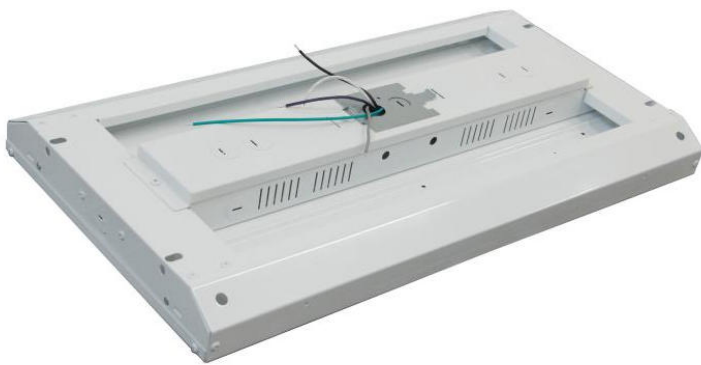




深圳市四量科技有限公司  
ShenZhen LSLH Technology Co., Ltd.

# LED Linear High Bay

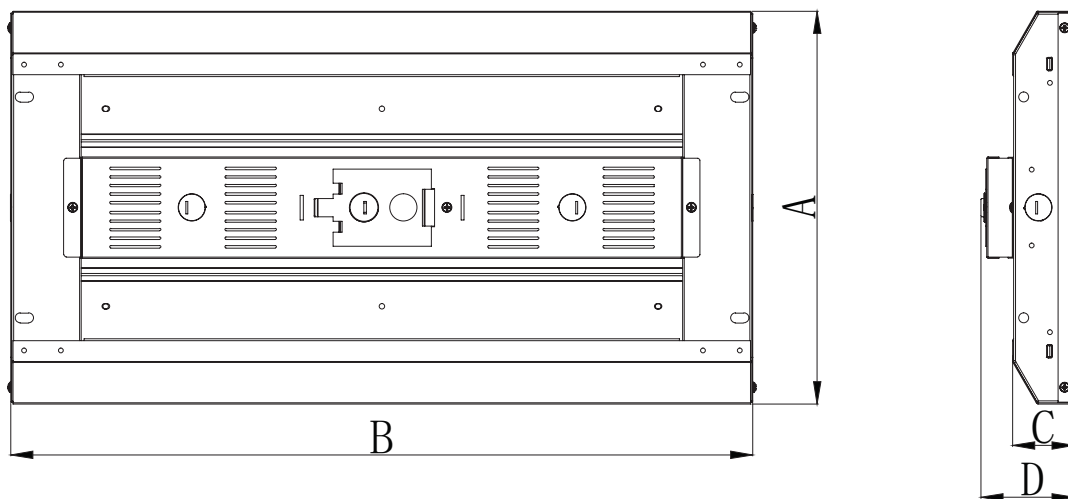




## Product Features

1. ULus & FCC listed; With LM79 & LM80;
2. 2ft:110W MAX & 220W MAX available ; 4ft: 225W MAX & 325W MAX available;
3. High luminous efficacy 130lm/w;
4. High quality isolated driver; 1-10V dimming; Flicker free;
5. PF > 0.90, driver efficiency > 87%; THD < 20%;
6. Installation: chain mounting;
7. Suitable for dry/damp location;
8. Designed for warehouses, gymnasiums, and industrial spaces;
9. CCT: 4000K & 5000K;
10. Five years warranty.

## Product Dimension



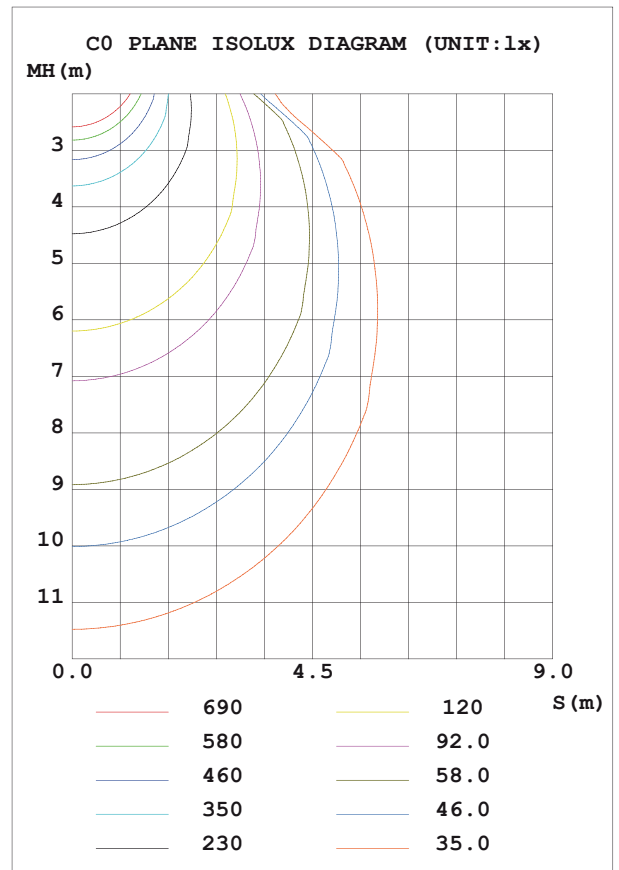
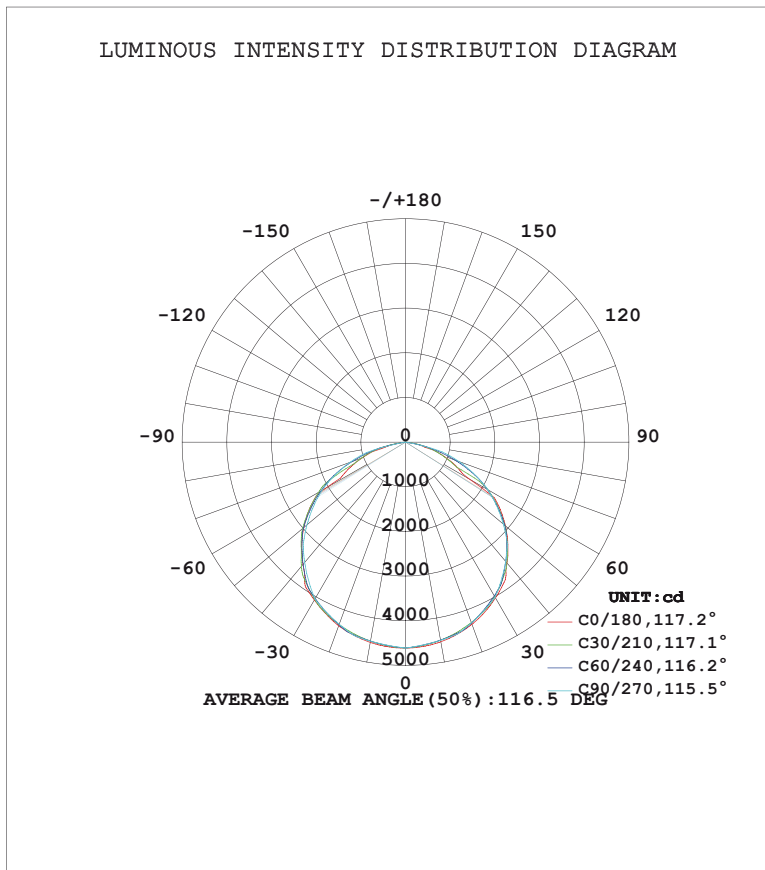
Part No.	A	B	C	D
LSLH-HB2-80W	12.60"	23.82"	1.97"	2.99"
LSLH-HB2-110W	12.60"	23.82"	1.97"	2.99"
LSLH-HB3-140W	17.32"	23.82"	1.97"	2.99"
LSLH-HB3-160W	17.32"	23.82"	1.97"	2.99"
LSLH-HB3-165W	17.32"	23.82"	1.97"	2.99"
LSLH-HB3-220W	17.32"	23.82"	1.97"	2.99"
LSLH-HB5-160W	12.60"	45.87"	1.97"	2.99"
LSLH-HB5-165W	12.60"	45.87"	1.97"	2.99"
LSLH-HB5-225W	12.60"	45.87"	1.97"	2.99"
LSLH-HB6-320W	17.32"	45.87"	1.97"	2.99"
LSLH-HB6-325W	17.32"	45.87"	1.97"	2.99"



## Specification

Name	Size	Part No.	Power	Input Voltage	Input Current	LED Strip	PF	Light Efficacy	CCT	Ra
Linear high bay	2FT	LSLH-HB2-80W	80W MAX	AC120-277V	0.8A	4	>0.9	130lm/W	4000K 5000K	80
		LSLH-HB2-110W	110W MAX		1A	4				
		LSLH-HB3-140W	140W MAX		1.4A	6				
		LSLH-HB3-160W	160W MAX		1.6A	6				
		LSLH-HB3-165W	165W MAX		1.6A	6				
		LSLH-HB3-220W	220W MAX		2A	6				
	4FT	LSLH-HB5-160W	160W MAX		1.6A	4				
		LSLH-HB5-165W	165W MAX		1.6A	4				
		LSLH-HB5-225W	225W MAX		2A	4				
		LSLH-HB6-320W	320W MAX		3A	6				
Linear high bay	2FT	LSLH-HB3-160W-HV-XXK	160W MAX	AC347-480V	0.52A	6	>0.9	130lm/W	XXK represents the CCT: 4000K 5000K	80
		LSLH-HB5-160W-HV-XXK	160W MAX		0.52A	4				
	4FT	LSLH-HB5-225W-HV-XXK	225W MAX		0.72A	4				
		LSLH-HB6-320W-HV-XXK	320W MAX		1.08A	6				

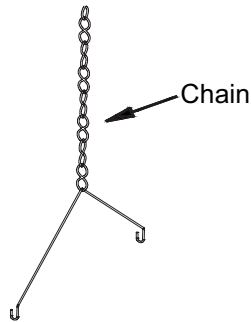
## Testing Report



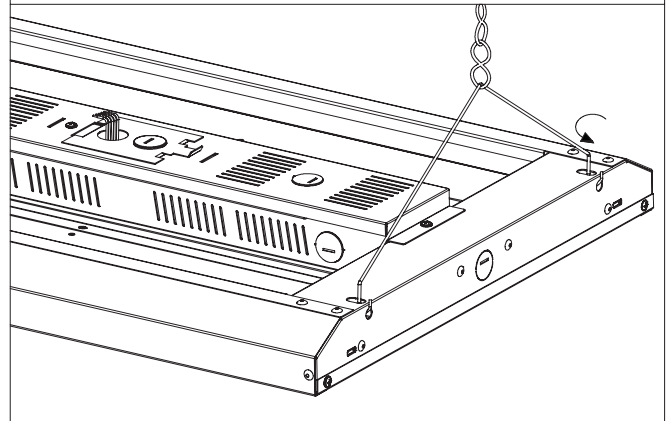


## Chain Installation

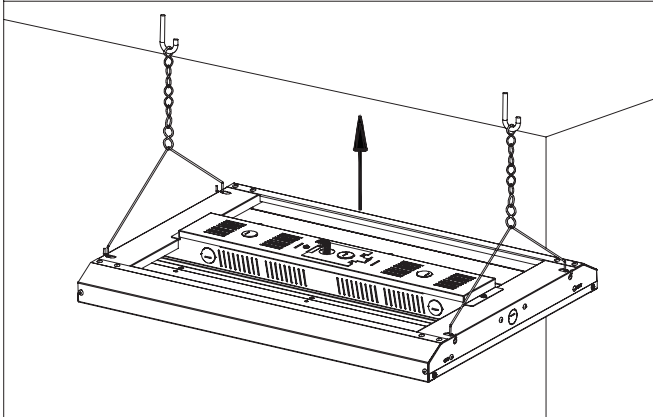
1. Hook the chain as below pic.



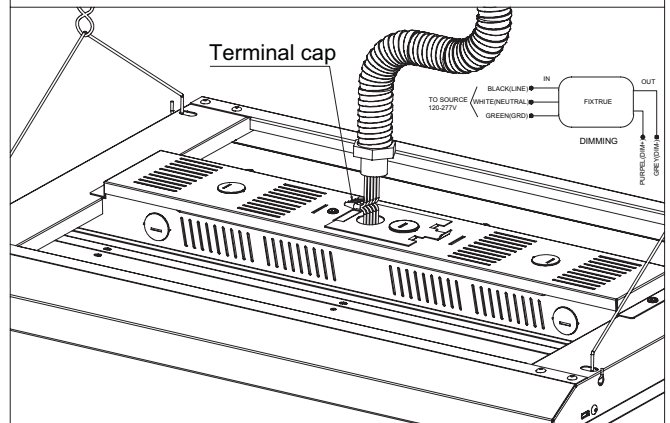
2. Insert the hook into the slotted holes, as shown below.



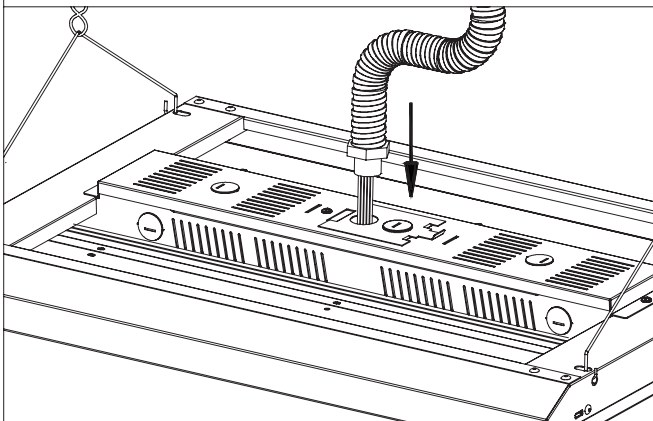
3. Hook up the chain on the ceiling anchor.



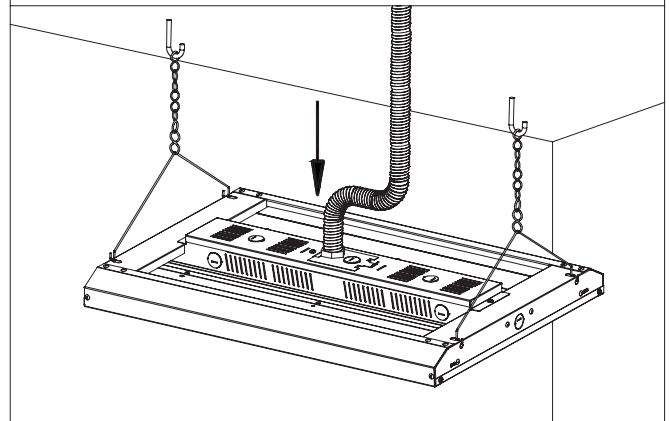
4. Turn off power, and make wiring connections with terminal cap (see wiring instruction below).



5. Insert the terminal cap and wires into the driver box.

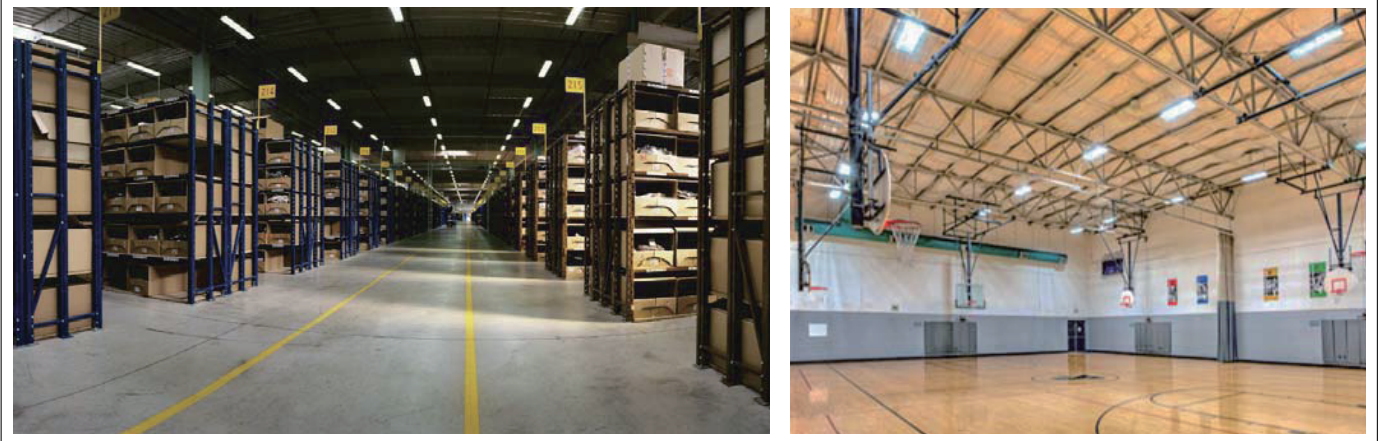


6. Insert the wire terminal joint to the wire entry. Installation completed.





## Applications



## Packing /weight

Part NO.	Outer Carton Size (L×W×H)	Qty/Carton (pcs)	Net weight (lbs)	Gross weight (lbs)
LSLH-HB2-80W LSLH-HB2-110W	(25.78''*8.66''*15.75'' (655*220*400mm))	2	20.28	25.25
LSLH-HB3-140W LSLH-HB3-160W LSLH-HB3-165W LSLH-HB3-220W	(25.78''*8.66''*20.47'' (655*220*520mm))	2	26.46	31.42
LSLH-HB5-160W LSLH-HB5-165W LSLH-HB5-225W	(47.83''*8.66''*15.75'' (1215*220*400mm))	2	35.27	41.12
LSLH-HB6-320W LSLH-HB6-325W	(47.83''*8.66''*20.47'' (1215*220*520mm))	2	44.97	50.88

## Note

- 1.The installation and maintenance must be completed by electricians or professionals.
- 2.Please cut off the power before installation and maintenance.
- 3.The thermally insulating material is not allowed to cover the fixture.
- 4.Please keep away from the corrosive substance, and keep the fixture dry and clean.
- 5.Working temperature: -4°F~104°F, storage temperature: -22°F~140°F.